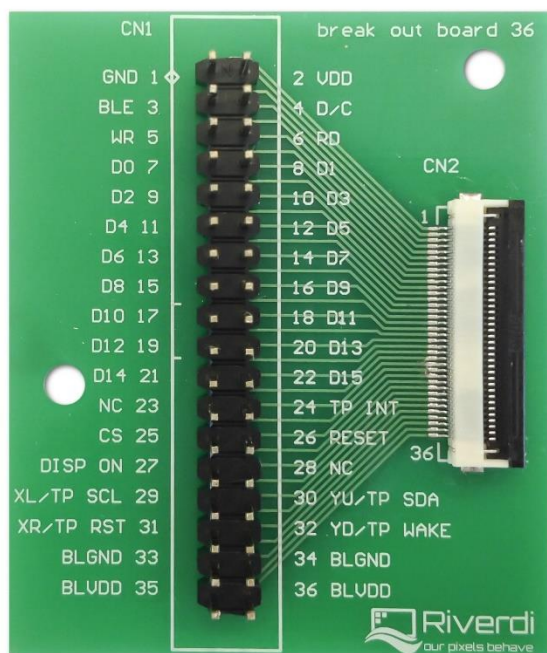




Break Out Board 36

User Manual

Rev.1.2
2015-12-16



REVISION RECORD

REVNO.	REVDATE	CONTENTS	REMARKS
	2015-06-02	Preliminary edition	
1.0	2015-07-03	Initial Release	
1.1	2015-12-10	Add development kit information	
1.2	2015-12-16	Add Connection method	

CONTENTS

REVISION RECORD.....	2
CONTENTS	2
1. DESCRIPTION	3
2. DEVELOPMENT KIT SET.....	3
3. PIN CONFIGURATION.....	3
4. CONNECTION.....	4
5. MECHANICAL DRAWING	4
6. ELECTRICAL SCHEMATIC.....	5
7. LEGAL INFORMATION.....	6

1. DESCRIPTION

Break Out Board 36 is an evaluation tool which allows to expand Riverdi TFT module pins to user friendly 2.54 mm pins header. This tool can be used for 3.5", 4.3" and 7.0" Riverdi displays with SSD1963 controller.

Break Out Board 36 has two connectors: CN2, 36 pin downside ZIF connector, for connecting display module via 150 mm FFC and CN1, 36 pin IDC connector, for connecting users free cables.

2. DEVELOPMENT KIT SET

Break Out Board 36 kit contains:

- Break Out Board 36,
- 36 pin, 0.5mm, 15 cm length FFC

3. PIN CONFIGURATION

Pin configuration for displays with SSD1963 controller is shown in the table below.

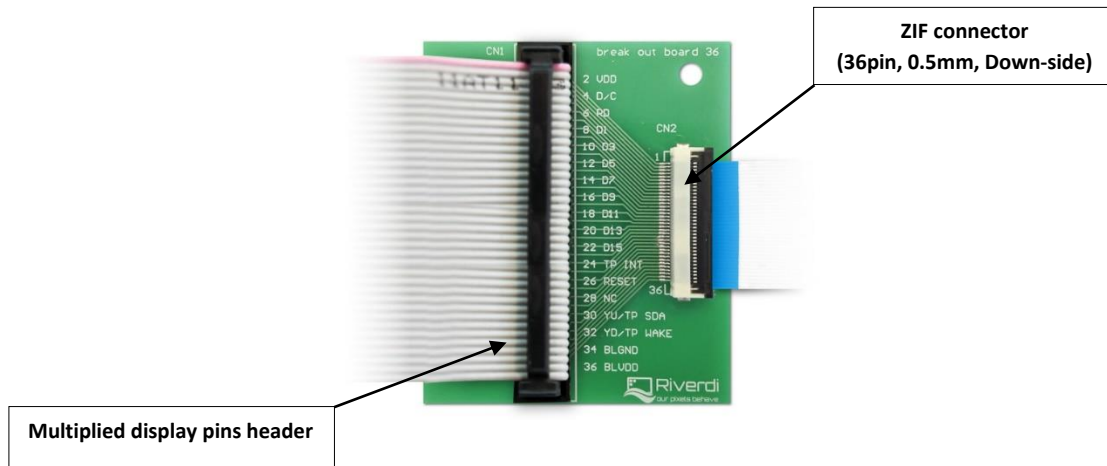
Table 1. PIN configuration for SSD1963 controller

PIN NO	SYMBOL	DESCRIPTION
1	GND	Power Ground
2	VDD	Power Supply: +3.3V
3	BL_E	Backlight Control Signal, H: On/L: Off (internally pulled-up to BLVDD)
4	D/C	Data/Command Select
5	WR	Write Strobe Signal
6	RD	Read Strobe Signal
7-22	D0-D15	Data Bus. Pins not used should be floating
23	NC	No Connection
24	NC	No Connection
25	CS	Chip Select
26	RESET	Hardware reset
27	DISP ON	Display Control H: On/L: Off (internally pulled-up)
28	NC	No Connection
29	XL/TP SCL	Touch left electrode/ Touch Panel I2C SCL Signal
30	YU/TP SDA	Touch up electrode/ Touch Panel I2C SDA Signal
31	XR/TP RST	Touch right electrode/ Touch Panel RST Signal, Active Low
32	YD/TP WAKE	Touch down electrode/ Touch Panel Wake Signal, Active Low
33	BLGND	Backlight ground, can be connected to GND
34	BLGND	Backlight ground, can be connected to GND
35	BLVDD	Backlight power supply, can be connected to VDD
36	BLVDD	Backlight power supply, can be connected to VDD

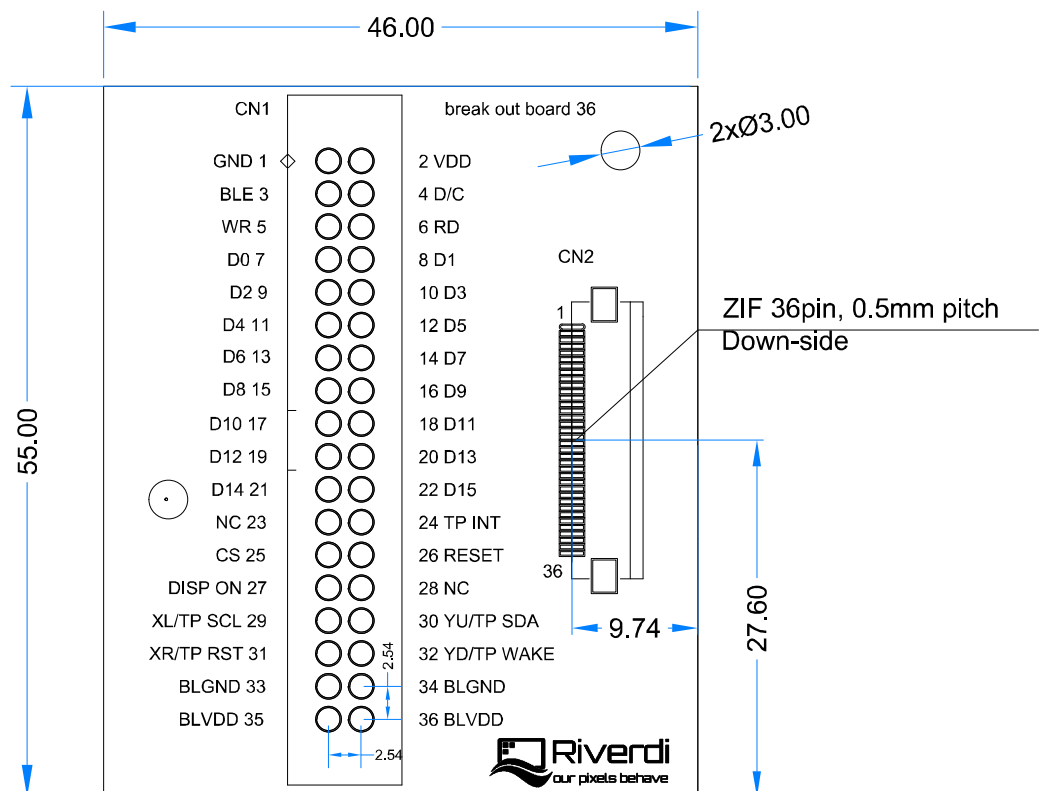
4. CONNECTION

Connection method is shown in Figure 1.

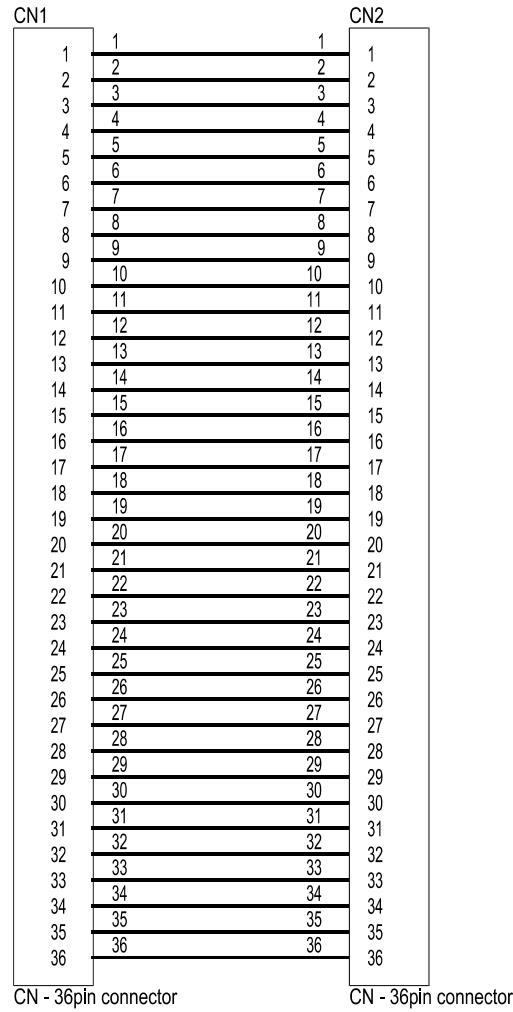
Figure 1. Break Out Board 36 connection method



5. MECHANICAL DRAWING



6. ELECTRICAL SCHEMATIC



7. LEGAL INFORMATION

Riverdi makes no warranty, either expressed or implied with respect to any product, and specifically disclaims all other warranties, including, without limitation, warranties for merchantability, non-infringement and fitness for any particular purpose. Information about device are the property of Riverdi and may be the subject of patents pending or granted. It is not allowed to copy or disclosed this document without prior written permission.

Riverdi endeavors to ensure that the all contained information in this document are correct but does not accept liability for any error or omission. Riverdi products are in developing process and published information may be not up to date. Riverdi reserves the right to update and makes changes to Specifications or written material without prior notice at any time. It is important to check the current position with Riverdi.

Images and graphics used in this document are only for illustrative the purpose. All images and graphics are possible to be displayed on the range products of Riverdi, however the quality may vary. Riverdi is no liable to the buyer or to any third part for any indirect, incidental, special, consequential, punitive or exemplary damages (including without limitation lost profits, lost savings, or loss of business opportunity) relating to any product, service provided or to be provided by Riverdi, or the use or inability to use the same, even if Riverdi has been advised of the possibility of such damages.

Riverdi products are not fault tolerant nor designed, manufactured or intended for use or resale as on line control equipment in hazardous environments requiring fail – safe performance, such as in the operation of nuclear facilities, aircraft navigation or communication systems, air traffic control, direct life support machines or weapons systems in which the failure of the product could lead directly to death, personal injury or severe physical or environmental damage ('High Risk Activities'). Riverdi and its suppliers specifically disclaim any expressed or implied warranty of fitness for High Risk Activities. Using Riverdi products and devices in 'High Risk Activities' and in any other application is entirely at the buyer's risk, and the buyer agrees to defend, indemnify and hold harmless Riverdi from any and all damages, claims or expenses resulting from such use. No licenses are conveyed, implicitly or otherwise, under any Riverdi intellectual property rights.

